

# EEM-327/326

## 600 TVL High Resolution Mini Vandal Dome Camera

- ❖ NEXT-chip
- ❖ DNR
- ❖ D/N Support
- ❖ E-mark



### SPECIFICATIONS

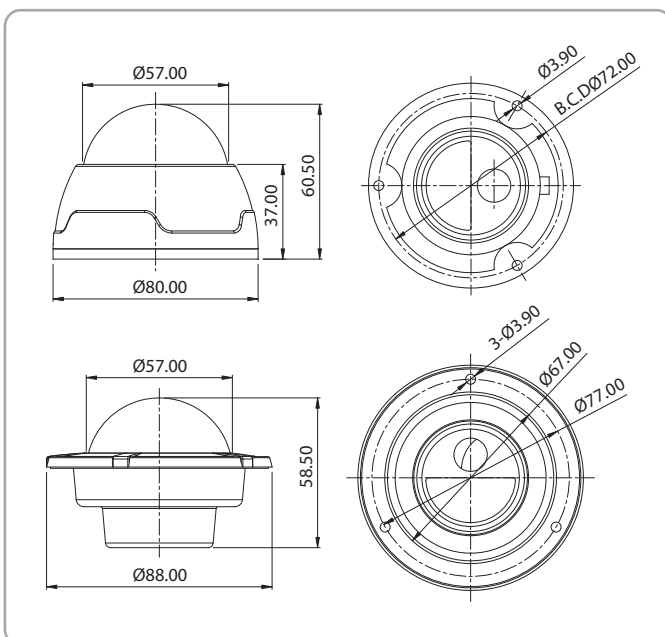
MODEL	EEM-327	EEM-326
Image Sensor	1/3" Interline Dual Scan CCD	
Total Pixels	795 (H) x 596 (V), 470K	
Scanning System	2 : 1 Interlace	
Scanning Frequency	15.625KHz , 50Hz	
Resolution	600TV Lines (700TV Lines B/W)	
Shutter Speed	1/50~1/90,000	
Sens Up	ON/OFF (2x~128x)	
S/N Ratio	More than 52dB (AGC OFF)	
Sync.System	Internal / External (Line Lock)	
White Balance	ATW / AWC / Manual (1,700K~11,000K)	
OSD	Built-in : Joystick Cable	
D- Zoom	8X (Built-in Pan/Tilt)	
DNR	ON/ OFF (3D-DNR)	
WDR	ON / OFF (60dB)	N/A
Backlight Compensation	Off / WDR / BLC / HSBLC	Off / BLC / HSBLC
D&N	Color / BW / Auto	
PMasking	8 Zone	
Min.Illumination	0.0002 Lux	
Lens	3.6mm Fixed Lens	
Video Output	1Vp-p Composite (75 ohm)	
Power Supply	DC12V	
Power Consumption	200mA	
Operating Temp.	-10°C ~ 50°C	
Operating Humidity	0%RH ~80%RH	

### FEATURES

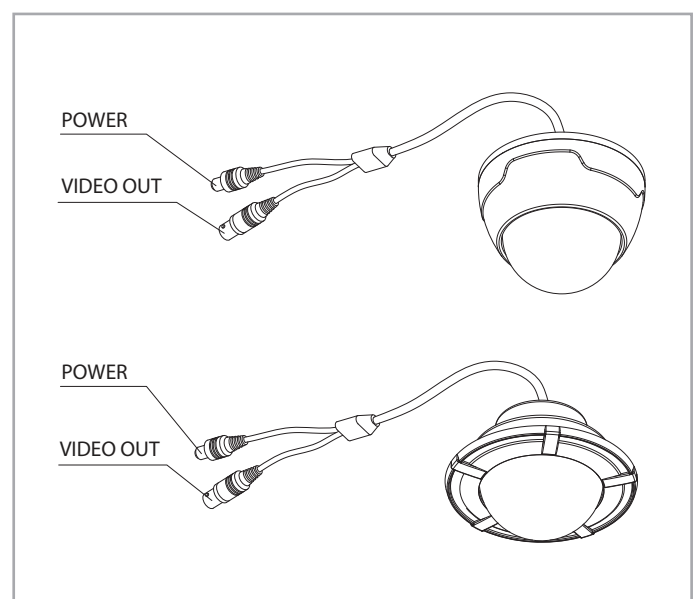
- 1/3" Inteline Dual Scan CCD
- Seamless AE Intelligent Control Solution
- High resolution of 600TV Lines of Color Resolution
- Advanced WDR Support(VDM-327 only)
- Built-in 3-D Digital Noise Reduction (3D-DNR) Filter
- HSBLC will darken / brighten image portions for clearer images
- Broader color temperature range AWB(1700°K ~ 11000°K)
- User friendly setting MD, Private Zone Masking
- IP67 aluminum diecasting, water proof structure
- Wall or Ceiling Mounting through internal 3-Axis camera bracket
- Dome size : 57Ø
- E-mark for Vehicle Application
- Joystick Cable for OSD control

### DIMENSIONS

Unit : mm



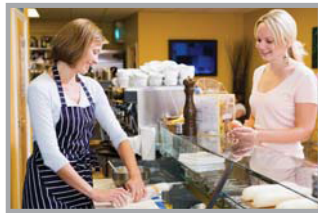
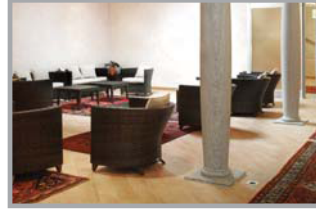
### CONNECTIONS



# EEM-APP

## Mini Vandal Dome Camera

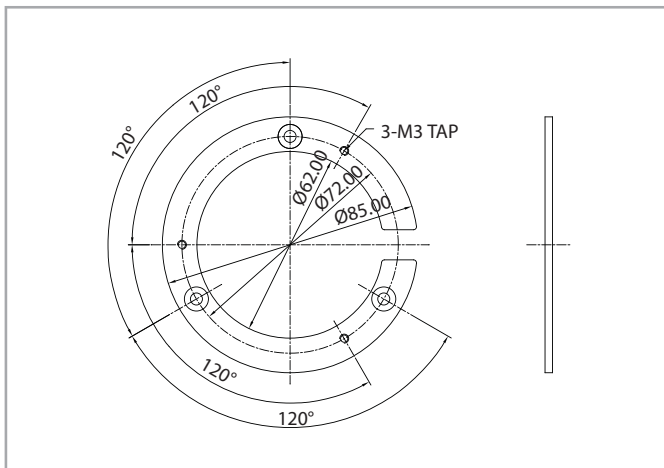
### APPLICATION



### Kabel-Distanzring



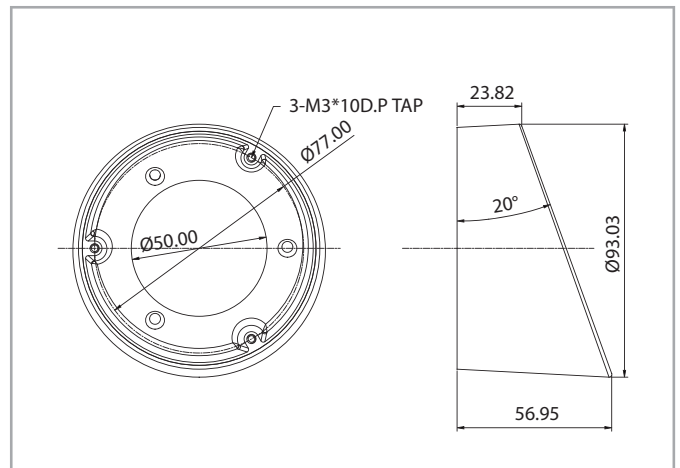
Unit : mm



### Aufbaugehäuse



Unit : mm



### OSD Bedienung EEM-327/326

