

EEB-1050 NEW

Effio DSP 650TV Line Camera

- ❖ Effio DSP
- ❖ 650TV Lines
- ❖ WDR
- ❖ 3D-DNR
- ❖ D&N Support

SPECIFICATIONS

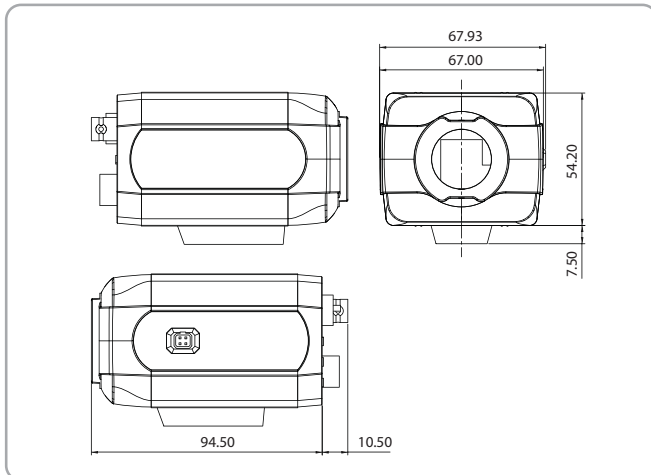
MODEL	EEB-1050-N	EEB-1050-P
Image Sensor	1/3" SONY Super HAD II(Double Scan) CCD	
Total Pixels	NTSC : 1028(H) x 508(V)	PAL : 1028(H) x 596(V)
Scanning System	2:1 interlace	
Scanning Frequency	NTSC : 15.734KHz(H),59.94Hz(V) / PAL : 15.625KHz(H),50Hz(V)	
Sync. System	Internal /Line Lock	
Resolution	650 TV lines (COLOR) / 750 TVL lines (BW)	
Min. illumination	Color : 0.3 lux , BW : 0.1 lux Color DSS : 0.0005 lux , BW DSS : 0.0002 lux	
Video Output	1.0 Vp-p (75 ohm, composite)	
S/N Ratio	more than 50dB (AGC off)	
Exposure	Auto / Shutter PRI / Manual	
Gain Control	DC/Video/Manual/ALC/ELC Off / On (Auo Max x30dB)	
Shutter Speed	NTSC : 1/60 ~ 1/100,000 sec	PAL : 1/50 ~ 1/100,000 sec
Digital Shutter Speed	Off / Max x2~x512	
Flickerless	Off / On	
Brightness	1 ~15 steps	
WDR/BLC	Off / WDR / BLC	
Day&Night	Auto / Sens-in / Ext / Day / Night	
White Balance	ATW / One-Push / Indoor / Outdoor / Manual / Auto	
Image DNR	Off / Manual / Auto	
E.Zoom	Off / Max x2~x32	
Intelligence	Privacy / MD / OD	
Privacy Mask	Off / 16 positions	
Motion Detection	Off / 3 positions	
Communication	Baud Rate : 2400 / 4800 / 9600 / 19200 / 38400 Protocol : Pelco-D / Pelco- P/Visca	
Language	English / Chinese / Korean	
Power Source	DC12V±10%, AC24V ±10%,	
Power Consumption	300mA	
Power Input	Connector	
Video Output	Connector	
Operating Temperature	-10°C ~ +50°C	
Operating Humidity	0 ~ 96% (non-condensing)	
Storage Temperature	-20°C ~ +60°C	
Weight	440g	

FEATURES

- 1/3" 610K (PAL)/520K (NTSC) pixels Sony Super HAD II (Double scan) CCD
- Super High Resolution 650 TV lines
- Wide Dynamic Range(512x)
- Day & Night (ICR)
- Digital Noise Reduction(2D+3D)
- Privacy Mask Function
- Intelligent motion detection
- Intelligent object detection
- Multi protocol support (VISCA, Pelco-D, Pelco-P)
- Easy operation by on screen display
- Balun External Video Out Put

DIMENSIONS

Unit : mm



REAR PANEL

