

# EEB-1020 / EEB-1010

NEW

- ❖ 600TV Lines
- ❖ WDR(BCN-1020)
- ❖ 3D-DNR
- ❖ HSBLC
- ❖ D&N Support

## Advanced WDR Camera



### FEATURES

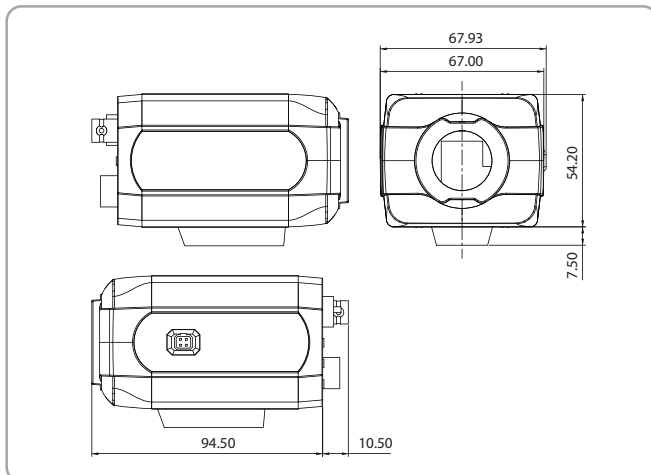
- 1/3" Interline Dual Scan CCD
- Advanced WDR function (BCN-1020 only)
- Max 128x Sens Up, Low illuminance 0.0002 Lux
- Seamless AE Intelligent Control Solution
- High resolution of 600TV Lines of Color Resolution
- Built-in 3-D Digital Noise Reduction (3D-DNR) Filter
- ICR D&N function provides high quality images in both day and night
- HSBLC will darken / brighten image portions for clearer images
- Broader color temperature range AWB(1700°K - 11000°K)
- User friendly setting Motion detection, Private Zone Masking
- Balun External Video Out Put

### SPECIFICATIONS

| MODEL                 | EEB-1020-N / -1020-P                    | EEB-1010-N / -1010-P   |
|-----------------------|---|--|
| Scanning Frequency    | 15.734KHz (H), 59.94 Hz (V)             | 15.625KHz (H), 50 Hz (V)   |
| Horizontal Resolution | 600 TV Lines (700TV Lines B/W)          |  |
| Total Pixels          | 811 (H) x 508 (V)                       | 795 (H) x 596 (V)  |
| Effective Pixels      | 768 (H) x 494 (V)                       | 752 (H) x 582 (V)  |
| Image Device          | 1/3" Sony Interline Dual Scan CCD       | 1/3" Super HAD CCD   |
| Lens                  | C/Cs Mount (C mount Adaptor Ring)       |  |
| Signal Process        | XDI DSP                                 |  |
| IRIS Control          | DC / VIDEO Selectable                   |  |
| Sync System           | Internal / External (Line Lock)         |  |
| S/N Ratio             | More Than 52dB (AGC Off)                |  |
| Minimum Illumination  | 0.0002 Lux (Sense-up)                   |  |
| Video Output Signal   | 1Vp-p Composite (75ohm)                 |  |
| Digital Zoom          | 8X                                      |  |
| Funtion               | WDR                                     | On / Off (60dB) : BCN-1020, BCP-1020 only                                  |
|                       | HSBLC                                   | On / Off   |
|                       | 3D-DNR                                  | On / Off   |
|                       | Sense-up                                | On / Off (2x ~ 128x)   |
|                       | D&N                                     | Tru Day &Night (Optional ICR Filter Change)<br>: Auto, Day, Night, Ext D&N |
| Gain Control          | Off / Low / Middle / High               |  |
| Shutter Speed         | 1/60 - 1/90,000                         | 1/50 - 1/90,000  |
| E. Sensitivity        | Auto (1x ~ 128x)                        |  |
| White Balance         | ATW / AWC / Manual (1,700°K ~ 11,000°K) |  |
| M. Detection          | 4 Area                                  |  |
| P. Masking            | 8 Zone                                  |  |
| OSD Display           | YES                                     |  |
| E.Image Stabilizer    | On / Off                                |  |
| Sharpness             | Adjustable                              |  |
| Power Source          | DC 12V / AC 24V Dual Voltage            |  |
| Power Consumption     | 4.4W                                    |  |
| Operating Temp        | -10°C ~ 50°C / 9%RH ~ 80%RH             |  |
| Dimension             | 67.93(W) x 61.7(H) x 105(D) mm          |  |
| Weight                | 300g                                    |  |

### DIMENSIONS

Unit : mm



### REAR PANEL

