

# EE-105IR

## IR Vandal Dome Camera

- ❖ Winner-5
- ❖ DNR
- ❖ D/N Support
- ❖ Built-in IR LED 18pcs

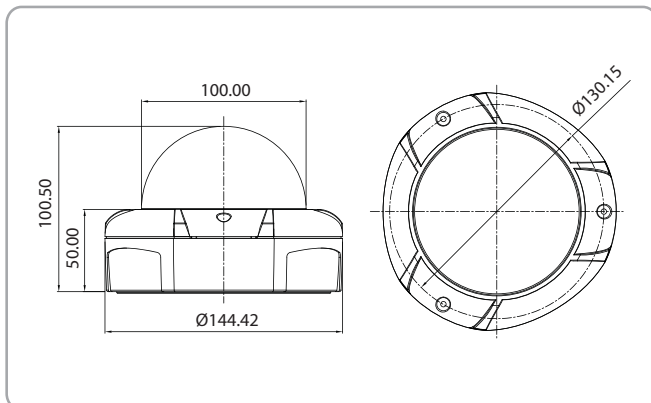


### FEATURES

- Samsung Tech-win Win5 DSP Chipset
- High Resolution of 600TV Lines
- Day&Night Capability (Digital Day&Night)
- Varifocal Lens (2.8~11mm)
- IP67 rating, Aluminum Diecasting Rugged Vandal Proof Camera
- Wall or Ceiling Mounting through internal 3-Axis camera bracket
- Safety strap holds dome cover in place while making adjustments
- Excellent Auto Tracking White-Balance
- Easy operation by On Screen Display
- Extra Video out
- IR LED 18pcs
- Electronic Image Stabilizer
- SSSDR Super Dynamic Range

### DIMENSIONS

Unit : mm



### SPECIFICATIONS

MODEL	EE-105IR-N	EE-105IR-P
Image Sensor	1/3" Sony Highly Sensitive CCD	
Effective Pixels	NTSC : 768 (H) x 494 (V)	PAL : 752(H) x 582 (V)
Scanning System	2 : 1 Interlace	
Scanning Frequency	15.734KHz , 59.94Hz (NTSC)	15.625KHz , 50Hz(PAL)
Resolution	600 TV Lines	
Shutter Speed	NTSC : Auto / Manual (1/60~1/120,000sec)	PAL : Auto / Manual (1/50~1/120,000sec)
Sens Up	ON / OFF (2x ~ 512x)	
S/N Ratio	52dB (AGC off, Weight on)	
Sync.System	Internal / Line lock	
White Balance	ATW, Outdoor, Indoor, Manual, AWC (1,700°K~11,700°K)	
OSD	Built - in	
D- Zoom	On / OFF (x1 ~ x16)	
DNR	On / Off (2D + 3D)	
WDR	x	
Backlight Compensation	SSDR / BLC /HLC / OFF	
D&N	Color / Auto / B/W / EXT (Built In DC Motor Driver)	
P.Masking	On / OFF 8 Zone	
Min.Illumination	0 Lux (IR ON)	
Lens	f=2.8~11mm Vari-focal	
Video Output	CVBS :1.0Vp-p, 75 ohm composite	
Power Supply	12V DC V ± 10%. Dual Voltage ± 10%	
Power Consumption	12V DC 450mA, Dual[ 24V AC 400mA, 12V DC 550mA]	
Operating Temp.	-10°C ~ 50°C	
Operating Humidity	30%RH ~80%RH	

### OPTIONAL MOUNT BRACKET



### CONNECTIONS

